

CWS Coil Winding Specialist

Specification Sheet

Date: May 2004

Part No. : TS247-Y02

Rev. :

Product : TOP SWITCH TRANSFORMER

Item	Printed Specification	Proposed Specification

Remark :

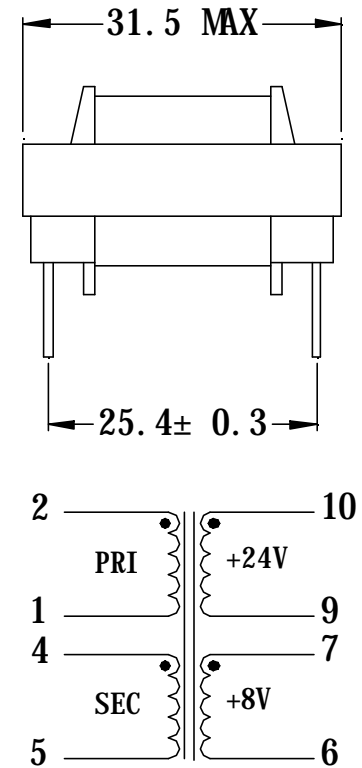
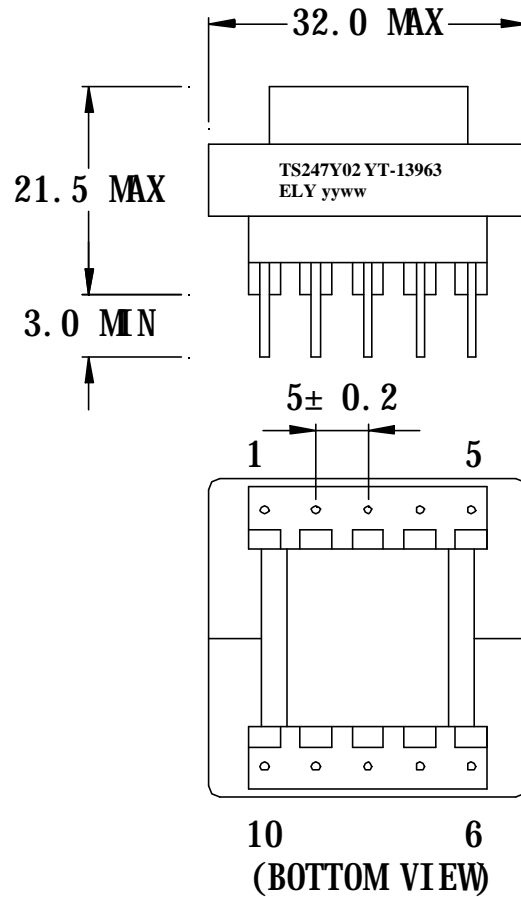
Engineer:

Verified:

Approved by :

CWS Coil Winding Specialist

Mechanical Dimension & Schematic



UNIT : mm

Customer :

Part No. : TS247-Y02

Rev.:

Sample No. :

CWS Coil Winding Specialist

Electrical Specification												
Remark :												
Testing Item	Specification	Pin No.	Samples Tested Data									
			1	2	3	4	5	6	7	8	9	10
INDUCTANCE HP-4192A @100KHz,0.1V	125.0 uH ±10%	L (2-1)	124	124	124.9	126.2	125.3	125.5	125.9	124.8	126.5	126.1
LEAKAGE IND. HP-4192A @100KHz,0.1V	6.5 uH MAX PIN 6-10 SHORTED	LK (2-1)	3.4	3.2	3.5	3.4	3.5	3.4	3.3	3.4	3.3	3.4
HI-POT TEST GPT-615	3000VAC,5mA,1SEC	2,4 TO 7,10	OK	OK	OK	OK	OK	OK	OK	OK	OK	OK
Customer :	Part No. : TS247-Y02				Rev.:				Sample No. :			